

Guitar Bridges & Tailpieces

510 Series

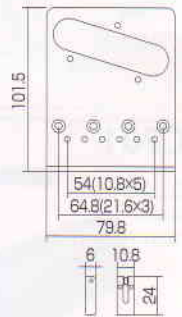
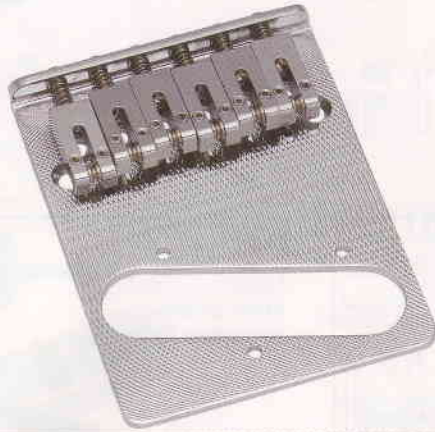


GTC510



Finishes C.GG.CK.
XN.XC.XG

Stainless string guide,
string pitch 10.8mm

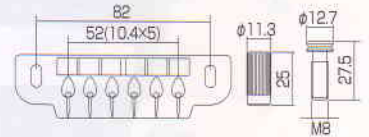


510UB



Finishes C.GG.CK.
XN.XC.XG

Hard zinc saddle
Stud lock-Pat.

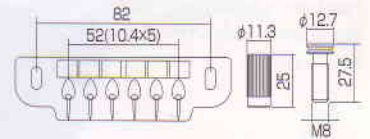


P510UB



Finishes C.GG.CK.
XN.XC.XG

Plastic saddle
Stud lock-Pat.

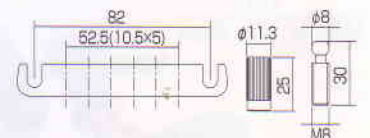


510FA



Finishes C.GG.CK.
XN.XC.XG

Material/Aluminum
Stud lock-Pat.

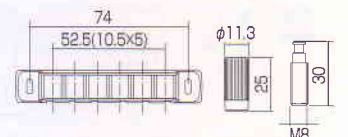
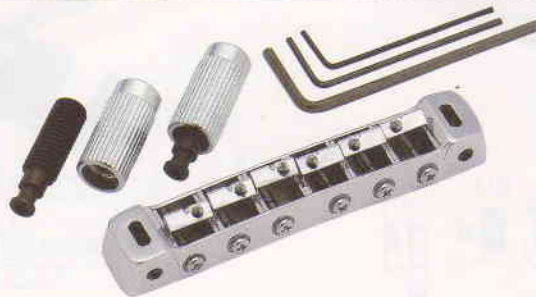


510FB



Finishes C.GG.CK.
XN.XC.XG

Brass saddle
Stud lock-Pat.

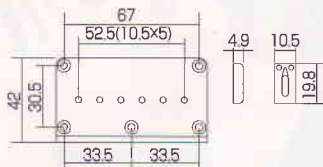
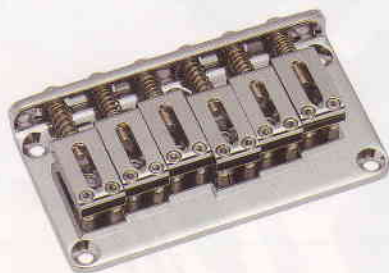


Finishes : C-Chrome, GG-Gold, CK-Cosmo Black, XN-Excellent Nickel, XC-Excellent Chrome, XG-Excellent Gold

Guitar Bridges & Tailpieces

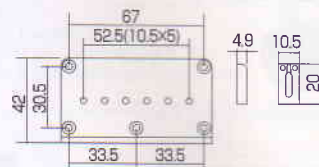
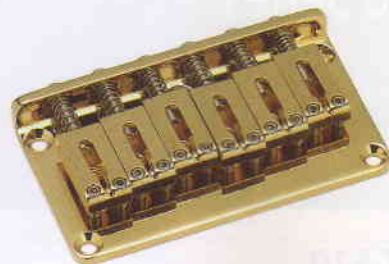
GTC101

Finishes | C.GG.CK
 Brass saddle,
 string pitch 10.5mm



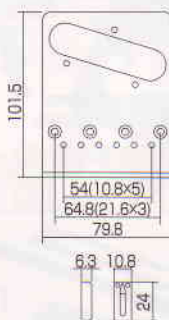
GTC102

Finishes | C.GG.CK
 Steel saddle,
 string pitch 10.5mm



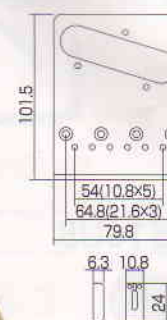
GTC201

Finishes | C.GG.CK
 Brass saddle,
 string pitch 10.8mm



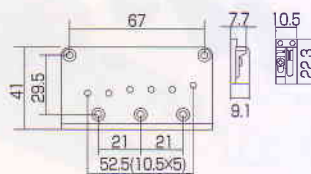
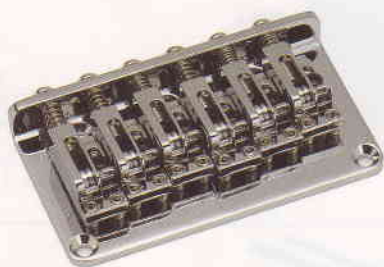
GTC202

Finishes | C.GG.CK
 Steel saddle,
 string pitch 10.8mm



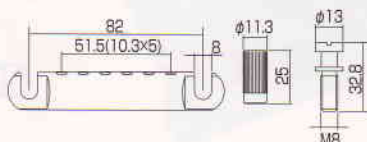
GTC12

Finishes | C.GG.CK
 Hard zinc saddle,
 String pitch 10.5mm
 for 12-strings



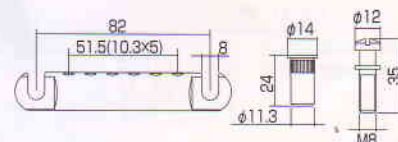
GE101Z

Finishes | N.C.GG.
 CK
 Material | Zinc diecast



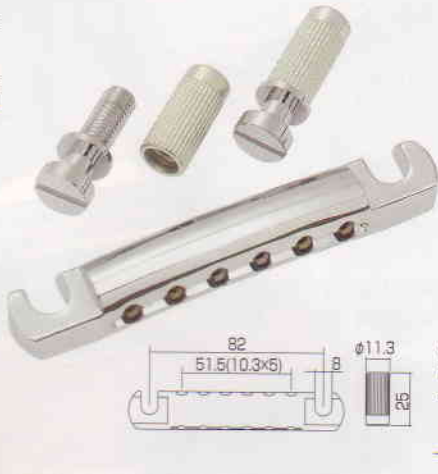
GE101Z-T

Finishes | N.C.GG.
 CK
 Material | Zinc diecast



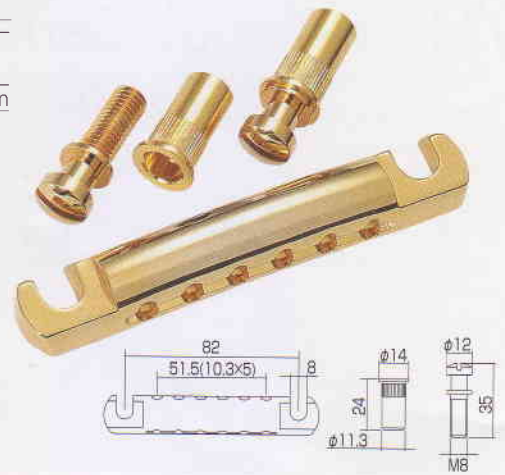
GE101A

| | |
|----------|---------------|
| Finishes | N.C.GG. CK |
| Material | Aluminum |



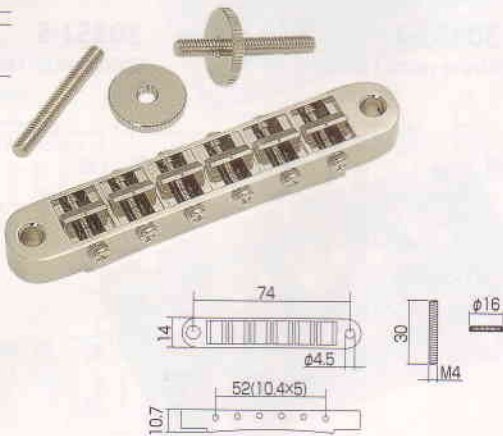
GE101A-T

| | |
|----------|---------------|
| Finishes | N.C.GG. CK |
| Material | Aluminum |



GE103B

| | |
|------------------|---------------|
| Finishes | N.C.GG. CK |
| Hard zinc saddle | |



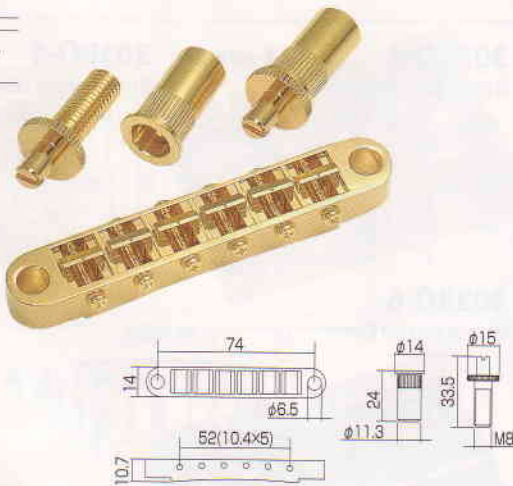
GEP103B

| | |
|----------------|---------------|
| Finishes | N.C.GG. CK |
| Plastic saddle | |



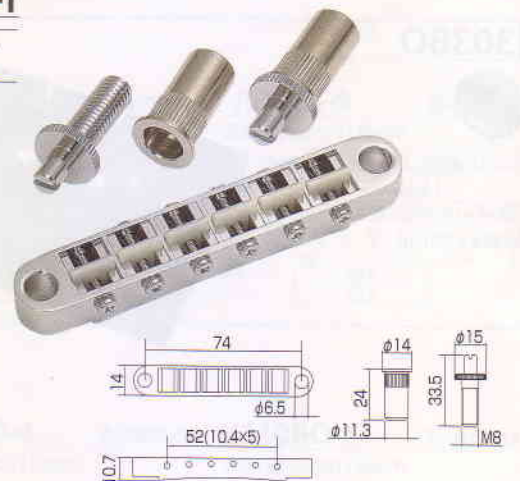
GE103B-T

| | |
|------------------|---------------|
| Finishes | N.C.GG. CK |
| Hard zinc saddle | |



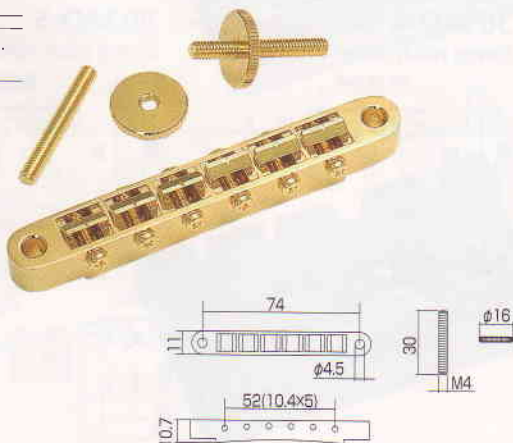
GEP103B-T

| | |
|----------------|---------------|
| Finishes | N.C.GG. CK |
| Plastic saddle | |



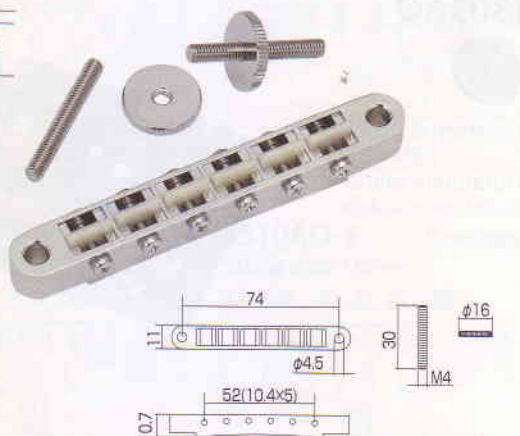
GE104B

| | |
|------------------|---------------|
| Finishes | N.C.GG. CK |
| Hard zinc saddle | |



GEP104B

| | |
|----------------|---------------|
| Finishes | N.C.GG. CK |
| Plastic saddle | |



Finishes : N-Nickel, C-Chrome, GG-Gold, CK-Cosmo Black